



KADDY-LAC[®]

Since 1946

Golf Pull-Carts & Accessories



***The Comprehensive
Source for Club
Professionals, Managers
and Course
Superintendents***

2002

Product Guide *Canadian Edition*



A Message to our Customers

Our name says it all: Kaddy-Lac. Our products are quality products. We are committed to stand behind every product that we put our name on with the most comprehensive warranties in the industry. At Kaddy-Lac, our goal is to provide our customers with long-lasting value. Perhaps it is for this reason that golf courses across North America have trusted Kaddy-Lac products to meet the needs of their memberships for over 50 years.

Responding to customer demand, we are proud to introduce to you this year our largest product line ever. Whether you are a long time customer, or are being introduced to us for the first time, we at Kaddy-Lac are confident that you will find the products inside Product Guide 2002 to be both beneficial to you and the customers you professionally aim to serve.



www.kaddy-lac.com

Wyllie-Webb Co. Limited
2150 Queensway Drive
Burlington, Ontario
Canada L7R 3T1

Toll-Free: 1-800-263-7910
Local: (905) 639-2121
Fax: (905) 639-9137
email: pullcart@kaddy-lac.com



Table of Contents



Shown with divot seed bottle and drink holder accessories.



CARTS

Pages 4-7



STORAGE RACKS

Pages 8-9



DIVOT REPLACEMENT SUPPLIES

Pages 10-13



PARTS & MAINTENANCE

Pages 15-17



ORDERING INFORMATION

Pages 18-21



ABOUT US

Pages 22-23

All prices in this catalogue are listed in Canadian dollars.

The **KADDY-LAC**[®] **Loboy**

*This model continues to set the standard to which all other carts are measured. Its low profile wheel axle comes equipped with durable urethane tires that significantly dampen shock on uneven terrain. The aluminum die-cast construction assures durability while its urethane tires (half the weight of traditional PVC tires), create the Loboy's remarkable light-weight. The result is an extremely well balanced cart that provides a smooth effortless roll. Perfectly suited for any rental application. **Backed by a 5 Year Pro-Rated Warranty.***



Soft cushioned handle grip

Cushioned neoprene bag supports provide a snug fit for all bag sizes



Adjustable and removable handle for rental control

Lightweight aluminum frame with smooth anodized finish

New lightweight 13" diameter urethane tires provide a smooth ride

Cushioned Neoprene protects and supports golf bag

Strong die-cast construction

Double ball-bearing wheels provide an effortless roll

VOLUME DISCOUNT PRICING				
1-11	12-23	24-49	50-99	100+

- Available Accessories**
- Divot Seed Bottle; Pg. 12
 - Drink Holder; Pg. 14
 - Cart Storage Rack; Pg. 8



The **KADDY-LAC**[®]
Tradition

Tried, tested and true, this model continues to be popular with our customers year after year. Stylish looking polyester re-inforced bag sling protects and supports bags while presenting an attractive, traditional look. Cart is fitted with long lasting black, or white PVC tires. Excellent value. Backed by a 5 Year Pro-Rated Warranty.

VOLUME DISCOUNT PRICING				
1-11	12-23	24-49	50-99	100+

Available Accessories

- Divot Seed Bottle; Pg. 12
- Drink Holder; Pg. 14
- Cart Storage Rack; Pg. 8



The **KADDY-LAC**[®]
2nd Debut

This reconditioned version of the Kaddy-Lac Loboy comes with a smooth re-anodized finish and re-polished castings. New PVC tires and components ensure that performance standards are met. The economical choice for the price-sensitive consumer. Excellent value. Subject to availability. Backed by a 3 Year Pro-Rated Warranty.

VOLUME DISCOUNT PRICING				
1-11	12-23	24-49	50-99	100+

The **KADDY-LAC[®]** **Supreme**

This cart is one of our most popular models and for good reason. Its wide stance provides greater stability on rolling terrain while its extra wide tires significantly decrease turf compaction on soft fairways. In wet climates, it's the only cart that should be used. At under 12 lbs, it's also the lightest Kaddy-Lac model available. Smooth, effortless roll with exceptional balance. No wonder this cart is a hit with our customers.

Backed by a 5 Year Pro-Rated Warranty.



Soft cushioned handle grip

Cushioned neoprene top bag support provides a snug fit for all bag sizes



Adjustable and removable handle for rental control

Lightweight aluminum frame with smooth anodized finish

3 1/2" wide urethane tires provide a smooth ride and minimize turf compaction

Tapered neoprene bag supports protect and support lower bag with a snug fit.

Strong die-cast construction

Lightweight polypropylene rims fitted with double ball-bearings provide an effortless roll

VOLUME DISCOUNT PRICING				
1-11	12-23	24-49	50-99	100+

Available Accessories

- Divot Seed Bottle; Pg.12
- Drink Holder; Pg.14
- Cart Storage Rack; Pg. 8

The **KADDY-LAC**[®] **Big Boy**

The most recent addition to the Kaddy-Lac cart line, this model serves as a combination Push/Pull cart. Extra large 20" diameter wheels and oversized push handle deliver an effortless roll. Its turf saving wide urethane tires provide stability while its adjustable handle system provides perfect balance. And like any Kaddy-Lac, its strong die-cast design ensures durability and performance.

Backed by a 5 Year Pro-Rated Warranty.

Offset handle design allows cart to serve as a pull or push cart. Rotating the handle 180° achieves appropriate balance points for both functions.

Over-sized cushioned handle grip



Optional adjustable folding handle achieves desired height, angle and balance for all users.

Turf saving 3" wide urethane tires provide a smooth stable ride

Large 20" diameter polypropylene rims fitted with precision double ball-bearings provide an easy roll

VOLUME DISCOUNT PRICING

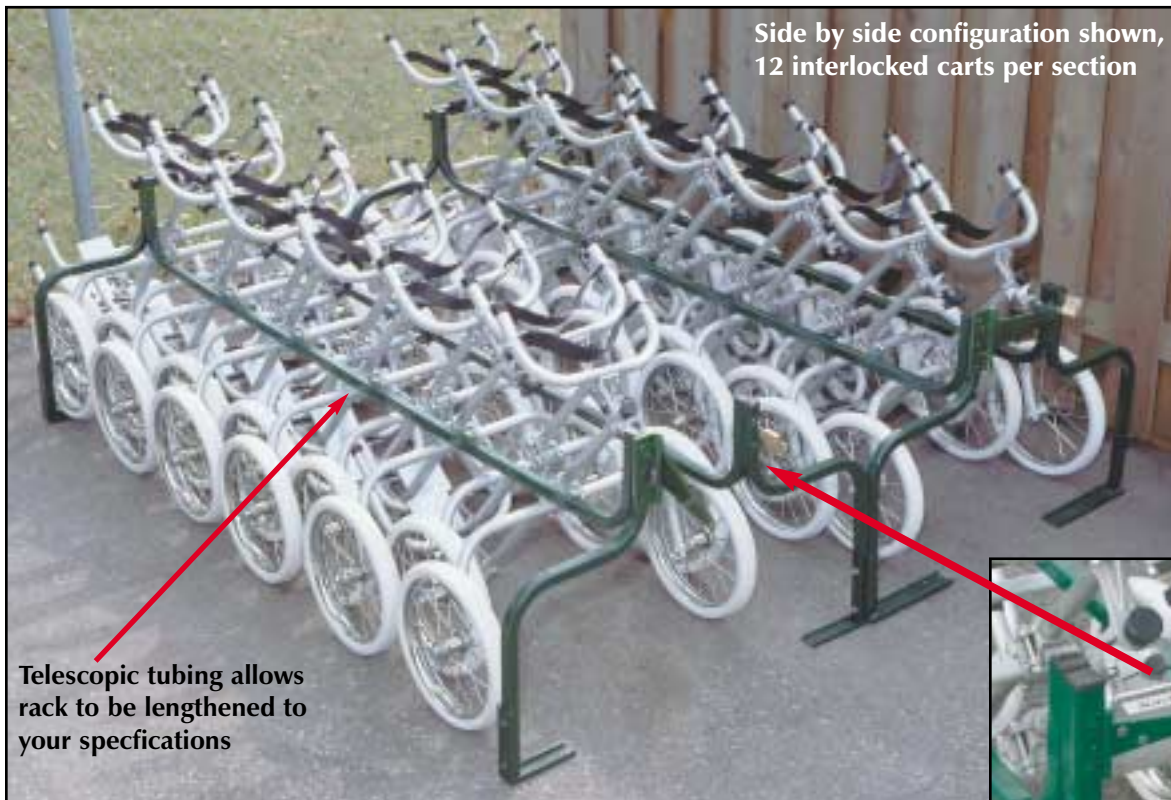
	1-11	12-23	24-49	50-99	100+
Removable Handle					
Folding Handle (see insert)					

Available Accessories

- Divot Seed Bottle; Pg.12
- Drink Holder; Pg.14
- Cart Storage Rack; Pg.8

Protect your rental pull-cart investment with

KADDY-LAC[®]
Storage Racks



Side by side configuration shown,
 12 interlocked carts per section

Telescopic tubing allows
 rack to be lengthened to
 your specifications

Simply insert the hard-
 ened steel padlock and
 your fleet is secure!



- Cart System helps keep your rental fleet in a neat orderly fashion
- Strong structural steel construction protects your investment from theft
- Smooth powder coated finish presents an attractive appearance



May also be set-up in single file configuration as shown
KADDY-LAC CARTS EASILY INTERLOCK FOR COMPACT STORAGE.

These racks are designed to meet your requirements and may accept other brands of pull-carts.
 Please call to receive pricing for other configurations.



KADDY-LAC[®] Handle Racks



Space Saving Model

- Designed to securely fasten to your existing slatwall
- Chrome plated slatwall hooks.
- Stained maple inserts neatly organize handles
- Saves floor space for other products you wish to display
- Promotes and controls pull-cart rentals at the point of sale
- Presents a professional look in your pro shop



Free Standing Model

- Strong square tubular construction with attractive powder-coated finish
- Slotted pine inserts neatly secure and organize handles
- Handle Rack presents a professional look in your pro shop
- Allows you to monitor how many pull-carts are on the golf course
- Promotes and controls pull-cart rentals at the point of sale

The **KADDY-LAC[®] Tee-Kaddy**
Divot Bottle Cart



Bottles are filled and ready for use at the first tee!

Waterproof score card holder (optional)

Extra large push handle

Strong steel frame with smooth powder-coated finish

Large diameter double ball-bearing wheels provide an easy roll

* Shown with optional waterproof score card holder

Wheel brakes keep cart stationary on un-even surfaces

Simplify your divot replacement program with Kaddy-Lac divot replacement supplies.

Benefits:

- The Tee-Kaddy is designed to save your staff valuable time when bottles need to be re-filled. Large frame can hold up to 100 bottles at one time.
- Large diameter double ball-bearing wheels allow the Tee-Kaddy to be easily transported from the back shop to the starter's tee for golfer's immediate use.
- Smooth powder-coated finish with stained wooden rails presents an attractive appearance at your golf course.



Designed to hold these bottles, see pg. 12

The **KADDY-LAC**® Tee-Kaddy II Divot Bottle Cart



Shown with Walnut Stain

Moulded Groove

Panels are available to fit Kaddy-Lac Divot seed bottles, or custom made to accept various competitor's bottle sizes

Weather resistant marine oak plywood available in your choice of two stain colours for an attractive appearance



Designed to hold these bottles, see pg. 12



Shown with Honey Brown Stain

Rigid structural steel design with smooth powder-coated finish



Supporting side rails accept seed bottles for the Kaddy-Lac pull-cart.



Foot pedal brakes easily engage to keep the cart stationary on sloped surfaces.

Benefits:

- The Tee-Kaddy II is designed to save your staff valuable time when bottles need to be re-filled. Cart has a narrow profile for compact storage in the back shop.
- Heavy duty wheel casters allow the Tee-Kaddy II to be easily transported from the back shop to the starter's tee for golfer's immediate use.
- Smooth powder-coated finish with weather resistant side oak panels presents an attractive appearance at your golf course. Panels are custom made to accept various bottle sizes for both golf cars and pull-carts.

Improve your course's condition with...
KADDY-LAC® Divot Seed Bottles



1 Litre Bottle for Pull-Carts

- Securely fastens to pull-carts, or motorized caddies
- New see thru bottle indicates when bottles need to be re-filled
- Specially designed bottle neck keeps contents dry

VOLUME DISCOUNT PRICING

1-49	50-99	100+



2 Litre Bottle for Golf Cars

- Securely fastens to the rear basket of the golf car
- Designed to fit golf cars without bottle holders

VOLUME DISCOUNT PRICING

1-49	50-99	100+



1 Litre Bottle for Golf Cars & Tee Boxes

- Designed to fit golf car's existing bottle holder
- Also used on the Kaddy-Lac Tee-Box (see page 13)

VOLUME DISCOUNT PRICING

1-49	50-99	100+



2 Litre Bottle for Golf Cars & Tee Boxes

- Designed to fit golf car's existing bottle holder
- Also ideal for tee boxes and other designated areas

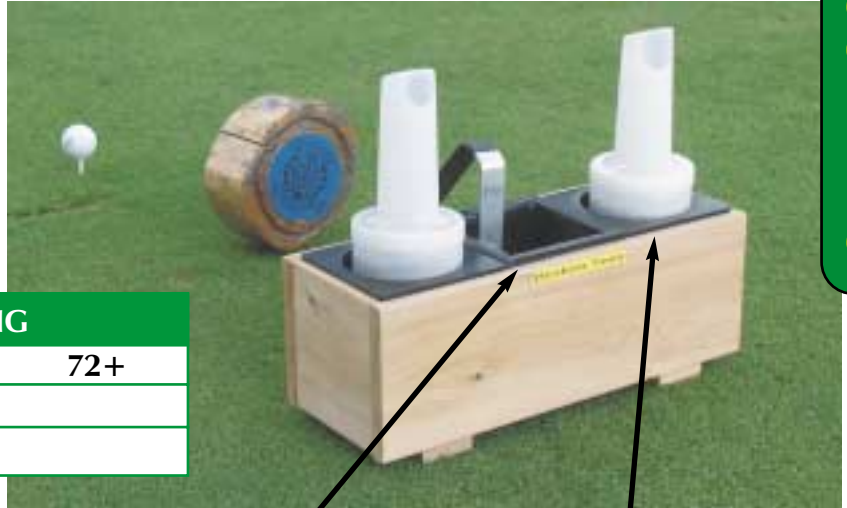
VOLUME DISCOUNT PRICING

1-49	50-99	100+

KADDY-LAC[®] Tee-Boxes

Kaddy-Lac Tee-Box

- Placed in a convenient location. Encourages usage by making it easier for your membership to fill divots.
- Frees your grounds crew from picking up broken tees and clutter left around tee area prior to mowing.



Center compartment can be easily removed to dump broken tees and clutter left around tee area

High density plastic bottle holders encased in attractive weather proof cedar

VOLUME DISCOUNT PRICING			
	1-35	36-71	72+
With Bottles (includes 2 bottles)			
Without Bottles			



High density weather resistant container holds 11 Gallons of divot mix

Kaddy-Lac Tee-Box II

A convenient time saving partner of the Kaddy-Lac Tee-Box. Makes it easier for both your grounds crew and golfing membership to have an ample supply of divot mix available at all times.

Kaddy-Lac Tee-Box III



Additional 12 oz. cast aluminum scoop

Includes 12 oz. cast aluminum scoop



Attractive weather proof cedar top keeps contents dry

Includes 12 oz. cast aluminum scoop (also sold separately)

VOLUME DISCOUNT PRICING		
1-17	18-35	35+

Also available with time saving 3 level stackable version. Seed filling station holds 33 Gallons of divot mix. Ideal for any area around the golf course convenient for the re-filling of divot mix.

The **KADDY-LAC[®]**
Cup Holder



Tapered design firmly supports all cup sizes. Smooth vinyl coating supports cup and insulates its contents



Drink is kept in an easily accessible position and does not interfere with your golf clubs

BENEFITS:

- Supports your golf course beverage sales by accommodating your walking golf membership. Designed to hold cups supplied by the golf course.
- Single piece design. Cup holder is firmly fastened to a Kaddy-Lac cart at an off-set angle. Your drink stays in a vertical position when the pull-cart is brought to balance during operation.
- Cup holder's tapered design provides a snug fit for all cup sizes. Cup remains stationary when pull-cart is in use.
- Constructed from impact resistant polished aluminum. Able to withstand all kinds of environments. Easy to clean. Vinyl coating protects cups and insulates its contents.
- Made specifically to perform under commercial applications.

VOLUME DISCOUNT PRICING

1-49	50-99	100+

KADDY-LAC[®] Maintenance Kit

With the kit, all essential components are readily available to help keep your cart fleet in good working order.



Includes free Kaddy-Lac golf hat

1 Kit services 50 Carts

Kit Contains:

Handle Grips, Caps , Bearings, Bearing felts, Bearing Lubricant, assortments of nuts and bolts and free Kaddy-Lac Golf hat.

Benefits:

- One time buying lowers your shipping costs
- 25% Volume discount from listed parts costs
- Repairs can be made on the spot without delay

KADDY-LAC[®] Cart Wash Stand

Wash stand makes it easy for you to provide your golfing membership with a continuously clean pull-cart.

Benefits:

Helps rid your tires of caked on mud, leaves and pesticides. This improves both the look and performance of your rental pull-cart investment. Designed to fit all Kaddy-Lac models. Sturdy aluminum construction. Won't rust. Easily portable.



Routine preventative maintenance determines both the performance and durability of your rental pull-cart investment.



Parts Page

Also available with Optional V-bracket Bag Support System (Part #25)

Polyester Reinforced Bag Sling (Part #44)

Plastic Glide Caps (Part #42)

Large Cushioned Handle Grip (Part #41)

Handle (Part #32a)

Complete Double Diamond (Part #20a)

Upper Bag Bracket (Part #24)

Extension (Part #15)

Wing Nut (Part #14)

Centre Casting (Part #12)

Centre Stem (Part #29)

13" Narrow Wheel (Part #00)

Undercarriage (Part #27)

Cushioned Neoprene Bag Protector (Part #47)

Extension (Part #15)

4.

13" Narrow Tire (Part #04)

Lower Bag Bracket (Part #23)

Extra Large Foot Plate (Part #45)

2-Hole Diamond Casting (Part #16)

Cast Aluminum Wear Pad (Part #21)

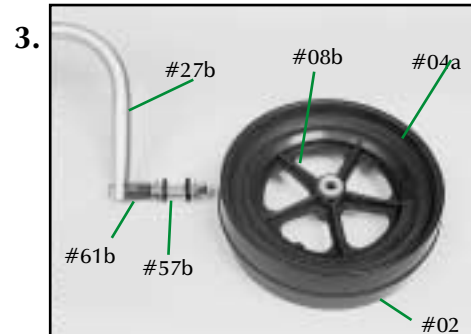
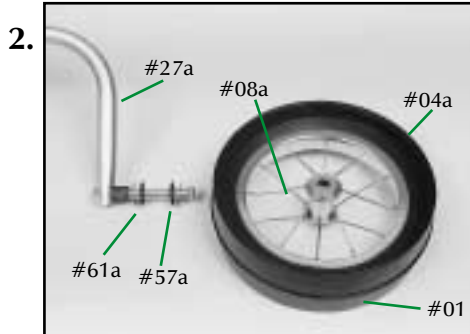
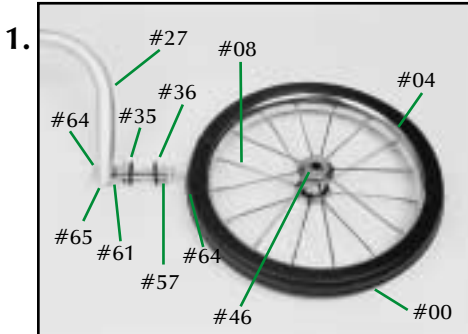
Narrow Wheel Rim (Part #08)

Wheel Assembly Systems

13" Diam. Narrow Wheel System

11" Diam. Chrome Wide Wheel System

11" Diam. Polypropylene Wide Wheel System



Available with black or white tire shown in photo 4



Parts List

Effective January 1st, 2002

Please Note: To help us serve you better, please provide the part number when ordering. Please refer to the part photos (page 16) or carts pages to ensure that you order the correct parts.

PARTS DESCRIPTION	Part #	Cost	Qty. Req.	PARTS DESCRIPTION	Part #	Cost	Qty. Req.
13" x 1 3/4" Narrow wheel (Photo 1,4)	00	26.00		1/2" Flat Washer	36	.15	
13" x 1 3/4" Reconditioned wheel (not shown)	00a	20.00		1/4" Lock Washer	37	.05	
13" x 1 3/4" Urethane Narrow Wheel (Page 4)	00b	28.00		1/2" Lock Washer	38	.15	
11" x 3 1/2" Chrome Wide Wheel (Photo 2)	01	33.00		1/4" Flat Washer	39	.05	
11" x 3 1/2" Plastic Wide Wheel (Photo 3)	02	38.00		Pull-Cart Handle Grip	41	2.00	
20" x 3" Large Wheel (Page 7)	03	45.00		Colored Pull-Cart Handle Grip (not shown)	41a	3.25	
13" x 1 3/4" Tire - Black or White (Photo 1, 4)	04	16.00		Push-Cart Handle Grip (Page 7)	41b	7.00	
11" x 3 1/2" Wide Tire (Photo 2,3)	04a	20.00		Plastic Glide End Cap	42	.30	
13" x 1 3/4" Urethane Narrow Tire (Page 4)	04b	18.00		Bag Bracket Spacer	43	.70	
Narrow Wheel Rim (with bearings) (Photo 1)	08	13.00		Bag Sling (includes screws, or bolts)	44	7.50	
Wide Wheel Chrome Rim (Photo 2)	08a	16.00		Foot Plate (aluminum)	45	12.00	
Wide Wheel Polypropylene Rim (Photo 3)	08b	20.00		1/2" Ball-Bearing (heavy duty)	46	3.00	
FOR WHEELS, TIRES AND RIMS Order 50-99 units and receive \$2/unit discount! Order 100+ units and receive \$3/unit discount!				Spray Lubricant for Bearings	46a	9.00	
				Neoprene Protector	47	3.00	
				V-bracket End Cap (Photo 6)	48	1.00	
Centre Castings	12	13.00		1/4" x 1 1/4" Carriage Bolt	50	.20	
Wing Nut / Handle Knob	14	5.00		1/4" x 1 1/2" Carriage Bolt	51	.20	
Extension (Top, Bottom)	15	8.00		1/4" x 1 1/4" Hex Bolt	53	.20	
2-Hole Diamond Casting	16	3.00		1/4" x 1 3/4" Hex Bolt	54	.20	
Double Diamond	20	10.00		1/4" x 2 1/4" Hex Bolt	55	.30	
Complete Double Diamond (Photo 5)	20a	17.50		1/4" x 2 3/4" Hex Bolt	56	.35	
Wear Pad (centre stem)	21	3.50		1/2" x 4 1/8" Narrow Wheel Stud (Photo 1)	57	4.00	
Lower Bag Bracket & Hardware	23	16.00		1/2" x 5 1/4" Chrome Wide Wheel Stud (Photo 2)	57a	5.00	
Upper Bag Bracket & Hardware	24	16.00		1/2" x 4 9/16" Plastic Wide Wheel Stud (Photo 3)	57b	5.00	
V-bracket Bag Support (Photo 6)	25	16.00		Bag Sling Screw	58	.10	
Narrow Wheel Undercarriage (Photo 1)	27	28.00		1/4" Plain Nut	59	.05	
Chrome Wide Wheel Undercarriage (Photo 2)	27a	30.00		Spacer Nut for 13" Narrow Wheel (Photo 1)	61	.20	
Plastic Wide Wheel Undercarriage (Photo 3)	27b	30.00		Spacer Nut for Chrome Wide Wheel (Photo 2)	61a	1.00	
Centre Stem (with wear pad)	29	20.00		Spacer Nut for Plastic Wide Wheel (Photo 3)	61b	1.25	
Pull-Cart Handle	32	15.00		1/4" x 2 1/2" Stainless Stove Bolt	62	.40	
Pull-Cart Handle (with grip)	32a	16.00		1/4" Lock Nut	63	.15	
Push-Cart Handle (with grip) (Page 7)	32b	24.00		1/2" Jam Lock Nut	64	.30	
Felt Washer Bearing Seal	35	.10		1/2" Undercarriage Plug Nut	65	.25	

Order 100+ units of the same part and get a 10% Discount off its listed Part Cost!
 Note: See special discounts for wheels, tires and rims.

KADDY-LAC[®] Shipping

We ship from coast to coast. Whatever the size of your order, we can handle it!



Packaging

Whether your order is a single parcel, multi-parcel, or consolidated truck load shipment, our experience is your guarantee that your goods will be delivered on time, in good condition and at reasonable rates.



Storage

Our warehouse is always kept well stocked so you can get the parts you need when you need them.



Shipping

We ship our products throughout North America. Whether you need an entire cart fleet, or just a few parts, we can get them to you fast!



FAX ORDER FORM

(please photocopy for continued use)

- To order:
- 1) Call: 1(800) 263-7910
 - 2) Fax: (905) 639-9137
 - 3) e-mail: pullcart@kaddy-lac.com
 - 4) mail: Wyllie-Webb Co. Ltd
2150 Queensway Drive
Burlington, ON, Canada L7R 3T1

ORDERING

IF THIS IS YOUR FIRST ORDER

And you would like to establish an account, please fill out the credit application on the **back of this form** and fax it with your order to (905) 639-9137

CUSTOMER INFORMATION

NAME:	BILLING ADDRESS:
TITLE:	
GOLF CLUB/CENTRE:	
TEL: () -	SHIPPING ADDRESS: (IF DIFFERENT FROM ABOVE)
FAX: () -	
E-MAIL:	
WEBSITE:	

CARTS

PARTS

DIVOT REPLACEMENT SUPPLIES

OTHER

Qty	Description	Price/Unit	Amount \$	Qty.	Description	Price/Unit	Amount \$
				P.O. # (if applicable):			
				ORDER DATE:			
				DELIVERY DATE REQUIRED:			
				Subtotal			
				Shipping charges & applicable taxes will be added to your order			
				TOTAL			

PAYMENT INFORMATION ▼

THANK YOU FOR YOUR ORDER!

Bill Me Credit Request
(Current Accounts only) (Please submit credit app. on page 20 with order)



Card #

Expiry Date

Name on Card _____

Signature _____



CONFIDENTIAL CREDIT APPLICATION

Company Name: _____

Address: _____

Tel: ()

Fax: ()

Owner / Principals: _____

Nature of Business: _____

Date Business Established: _____

Bank Name: _____

Bank Fax: ()

Bank Tel: ()

Bank Acct # : _____

Trade References: (Names, addresses and telephone numbers required)

1) _____

2) _____

3) _____

Credit Requested: _____

The undersigned agrees to pay service charges of 2% per month on overdue accounts

Signed: _____

Date: _____

NOTE: It is understood that all persons/information given on this application may be used to determine terms granted. It is not, however, assumption of terms until notified by this office or your sales representative. All orders are C.O.D. until such time. We reserve the right to deny credit terms if the information gathered does not fall within the parameters of our credit policy.

SALES POLICIES & CONDITIONS OF SALE

Please allow 2 weeks for delivery from the time of order placement. Special lead times may be required for large quantities, or special orders.

Payments by cheque are to be made payable to the Wyllie-Webb Co. Limited

Terms are net 30 days with established accounts with approved credit. New customers are required to complete a credit application before the date of scheduled release of shipment. Please allow up to 5 business days for credit review.

Otherwise, terms are C.O.D., Visa, Mastercard, or Amex, Cheque by Fax Service, or payment before the date of scheduled shipment release. Cash payments in advance receive a 2% discount.

Written quotations will be provided upon request.

All applicable taxes are extra. Freight is F.O.B. Burlington, Ontario, Canada prepaid and charge.

Returned goods will not be accepted without authorization. All returned goods must be prepaid, unused and in original packaging. A 15% restocking fee will be made on customer returns.

Goods remain the property of the Wyllie-Webb Co. Limited until paid in full.

All prices are subject to change without notice.

SAMPLE & QUOTATION REQUEST

Name: _____ **Title:** _____

Golf Club: _____

Shipping Address: _____

Billing Address: _____

Tel: () **Fax:** () **E-mail:** _____

This Cart Sample/Quotation Request Form has been provided to give you the opportunity to see for yourself the quality and attention to detail that goes into every Kaddy-Lac golf cart.

*Cart samples are at end quantity pricing with free shipping. We are confident that once you see how our carts perform on the golf course, you will trust Kaddy-Lac to meet the needs of your golfing membership. If you are not entirely satisfied, we will make all the necessary arrangements to have the product returned and provide a **full refund**.*

*In addition, we will provide an **all inclusive quotation** (including freight rates, credit terms and delivery schedules) based on your specified requirements.*

SAMPLE REQUEST - end quantity prices



Kaddy-Lac Loboy
Sample Price: _____



Kaddy-Lac Tradition
Sample Price: _____



Kaddy-Lac Supreme
Sample Price: _____



Kaddy-Lac Big Boy
Sample Price: _____

Divot Seed Bottles
Specify Model _____

Other Samples
Please Specify _____

QUOTATION REQUEST - please specify quantities and product descriptions

PAYMENT TERMS - If you don't have an account please fill out credit card info on pg. 19

Please fax to (905) 639-9137 Thank-you! You will be receiving your samples and quotation shortly.

About KADDY-LAC[®]

Kaddy-Lac brand golf pull-carts, divot replacement supplies and accessories are manufactured and distributed by the Wyllie-Webb Co. Ltd of Burlington, Ontario, Canada. The business was started in 1946 by Hugh G. Watson; an engineer from Kilmarnock, Scotland who had a knack for innovation and a passion for golf. What resulted from his efforts was the development of the first one-motion folding golf pull-cart. Since that time the business has grown to become a major supplier of golf carts throughout North America and around the world.

We are committed to providing our customers with products of the highest quality. Our attention to detail and dedication to quality throughout all stages of the production process are your guarantee that your purchase of a Kaddy-Lac product has been a sound investment. Furthermore, we are dedicated to providing un-paralleled standards in customer service so that your Kaddy-Lac products can continue to meet the needs of your golfing memberships.

Quality products with prompt, courteous service. Welcome to Kaddy-Lac!



Don't forget to visit our website @ www.kaddy-lac.com



New roll-over graphics provide indepth descriptions of featured products such as the Kaddy-Lac rental pull-cart.

Visitors to Kaddy-Lac Online gain secure access to online ordering for both retail and commercial products. You can contact us 24 hours a day to request quotations, or order products featured on our website.



Finally, you'll find out more about the interesting history of Kaddy-Lac and its founder Hugh G. Watson who started the company back in 1946.

Check it out!

KEEP THIS PUBLICATION: YOU WILL NEED IT FOR FUTURE REFERENCE



Please forward to Club Professional / Manager



2150 Queensway Drive
Burlington, Ontario, Canada
L7R 3T1

CANADA		POSTES
POST		CANADA
Postage paid		Port payé
Addressed		Métriaposte
Admail		avec adresse
03539253		